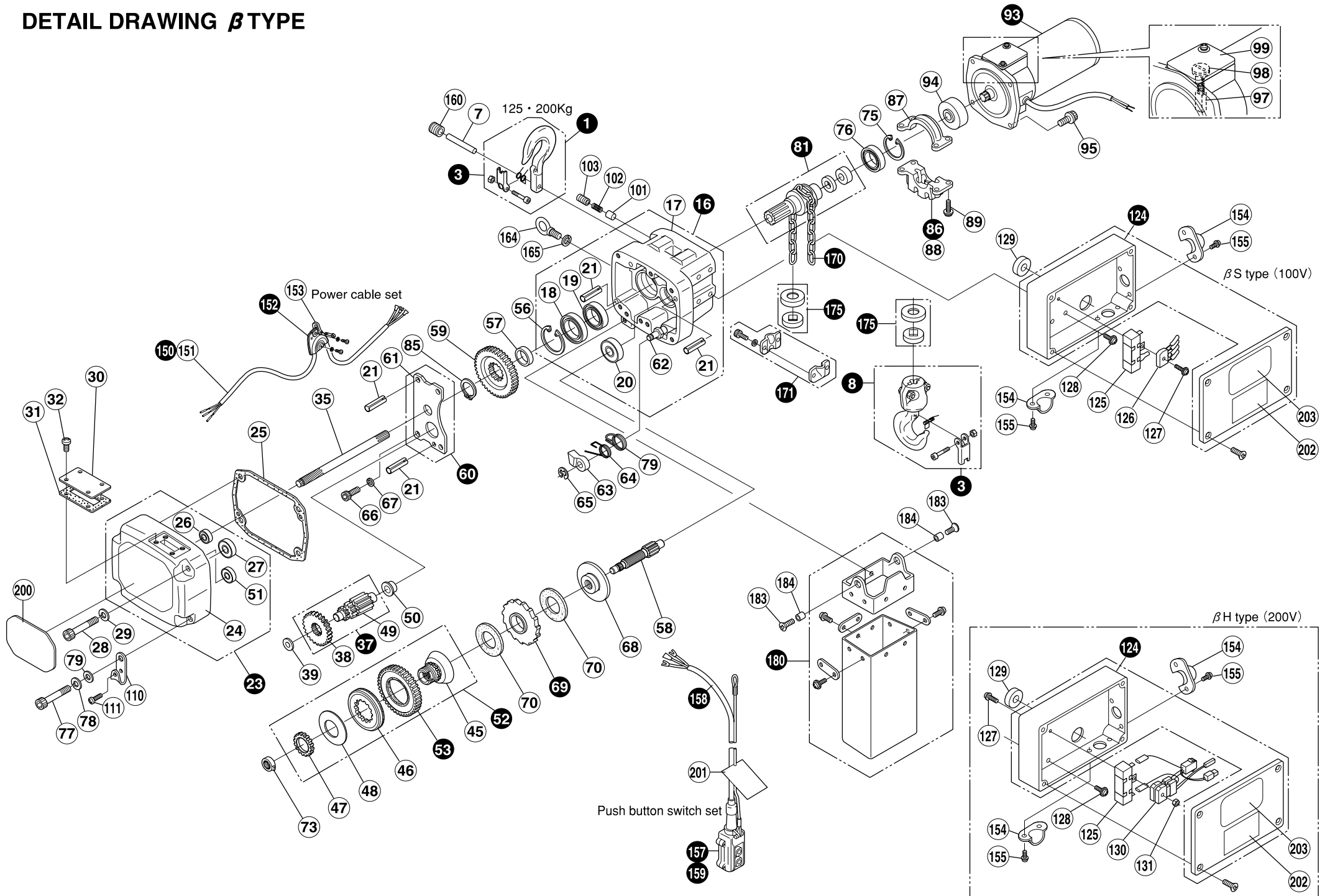


DETAIL DRAWING β TYPE





Work made easy.

HOISTING & LIFTING

Prod.Id	Description	Pos.
4488200	BETA-125-1 TOPHOOK ASS'Y	1
4488202	BETA-125-3 SAFETY LATCH ASS'Y	3
4488204	BETA-125/200-7 TOPHOOK PIN	7
4488205	BETA-125-8 BOTTOM HOOK ASS'Y	8
4488207	BETA-125/200-16 MAIN BODY CASE SET	16
4488208	BETA-125/200-17 MAIN BDY CASE	17
4488209	BETA-125/200-18 BALL BEARING	18
4488210	BETA-125/200-19 OIL SEALRING	19
4488211	BETA-125/200-20 BALL BEARING	20
4488212	BETA-125/200-21 SPRING PIN	21
4488213	BETA-125/200-23 GEAR CASE ASS'Y	23
4488214	BETA-125/200-24 GEAR CASE	24
4488215	BETA-125/200-25 MAIN BODY CASE PACKING	25
4488216	BETA-125/200-26 BALL BEARING	26
4488217	BETA-125/200-27 BALL BEARING	27
4488218	BETA-125/200-28/29 BOLT W/HEX. HOLE	28
4488219	BETA-125/200-30 OIL CAP	30
4488220	BETA-125/200-31 OIL AP PACKING	31
4488221	BETA-125/200-35 1ST GEAR	35
4488222	BETA-125/200-37 2ND & 3RD GEAR ASS'Y	37
4488223	BETA-125/200-39 SIMRING	39
4488224	BETA-125/200-52 FRICTION CLUTCH SET	52
4488225	BETA-125/200-53 4TH GEARSET	53
4488226	BETA-125-58 5 TH GEAR	58
4488228	BETA-125-59 6TH GEAR	59
4488230	BETA-125/200-60 MIDDLE PLATE SET	60
4488231	BETA-125/200-62 PAWL PIN	62
4488232	BETA-125/200-63 PAWL	63
4488233	BETA-125/200-64 PAWL SPRING A	64
4488234	BETA-125/200-65 E RING	65
4488235	BETA-125/200-66/67BOLT W/HEX. HOLE/WASHER	66-67
4488236	BETA-125/200-68 BRAKE HUB	68
4488237	BETA-125/200-69 RATCHET WHEEL SET	69
4488238	BETA-125/200-70 BRAKE LINING	70
4488239	BETA-125/200-73 CHECK WASHER	73
4488240	BETA-125/200-75 C CLIP FOR HOLE	75
4488241	BETA-125/200-76 BALL BEARING	76
4488242	BETA-125/200-77/78BOLT W/HEX. HOLE/WASHER	77
4488243	BETA-125/200-79 PAWL SPRING B	79
4488244	BETA-125/200-81 LOAD SHEAVE SET	81
4488245	BETA-125/200-85 C CLIP FOR SHAFT	85
4488246	BETA-125/200-87 CHAIN GUIDE UPPER SIDE	87



Work made easy.

HOISTING & LIFTING

4488247	BETA-125/200-88 CHAIN GUIDE DOWN SIDE	88
4488248	BETA-125/200-89 BOLT W/HEX. HOLE	89
4488249	BETA-125/200-93 SINGLE PHASE MOTOR SET	93
4488250	BETA-125/200-94 MOTOR SHAFT JOINT	94
4488251	BETA-125/200-95 BOLT W/HEX. HOLE	95
4488252	BETA-125/200-97 CARBON BRUSH	97
4488253	BETA-125/200-98 BRUSH CAP	98
4488254	BETA-125/200-101 LINING FOR MOTOR BRAKE	101
4488255	BETA-125/200-102 SPRING FOR MOTOR BRAKE	102
4488256	BETA-125/200-103 HEXAGON SOCKET SCREW	103
4488257	BETA-125/200-110 PUSH BUTTON HANGER FITTING	110
4488258	BETA-125/200-111 ROUND HEAD SCREW W/CROSS HOLE	111
4488259	BETA-125/200-124 ELECTRIC EQUIPMENT CASE SET	124
4488260	BETA-125/200-125 CEMENT RESISTOR	125
4488261	BETA-125/200-130 HARNESS	130
4488262	BETA-125/200-150 POWER CABLE SET	150
4488263	BETA-125/200-152 POWER CABLE HOLDER	152
4488264	BETA-125/200-154 CORD SUPPORT	154
4488265	BETA-125/200-155 HEX BOLD	155
4488266	BETA-125/200-157 PUSH BUTTON SWITCH SET	157
4488267	BETA-125/200-159 PUSH BUTTON SWITCH	159
4488268	BETA-125/200-175 BUFFER ASS'Y	175
4488269	BETA-125/200-180 CHAIN BUCKET ASS'Y TO 6 MTR	180
4488270	BETA-125/200-180 CHAIN BUCKET ASS'Y TO 10 MT	180
4488271	BETA-125-200 200 NAME PLATE	200
4488272	BETA-200/200 200 NAME PLATE	200
4488273	BETA-125/200-202 WARNING TAG	202
4488274	BETA-125/200-203 TYPE NAME LABEL	203
4488275	BETA-125/200-HOUSING PLUG 6P (FOR CONTROL CABLE)	
4488276	BETA-125/200-HOUSING SOCKET 6P (FOR CONTROL CABLE)	
4488277	BETA-125/200-HOUSING PLUG 2P (FOR POWER CABLE)	
4488278	BETA-125/200-HOUSING SOCKET 2P (FOR POWER CABLE)	
4488279	BETA-125/200- MALE PIN	
4488280	BETA-125/200- FEMALE PIN	