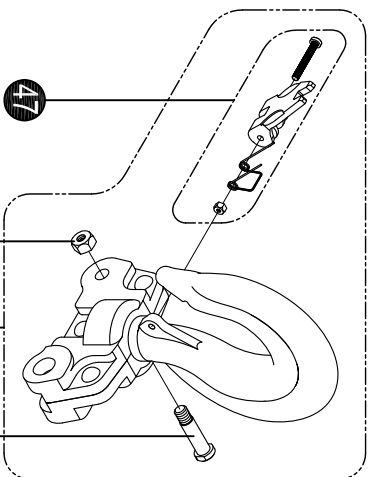
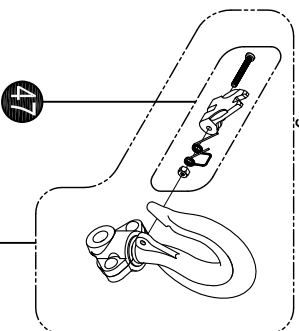


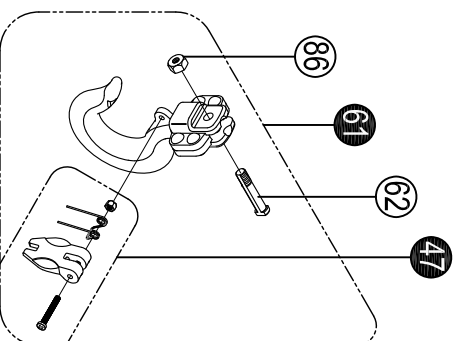
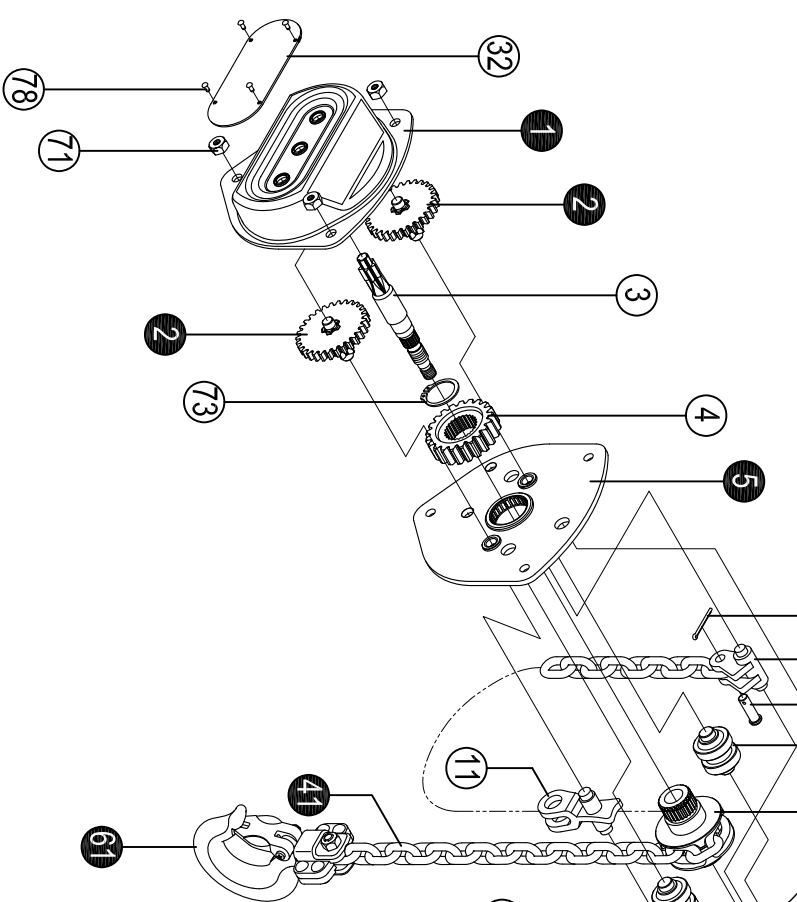
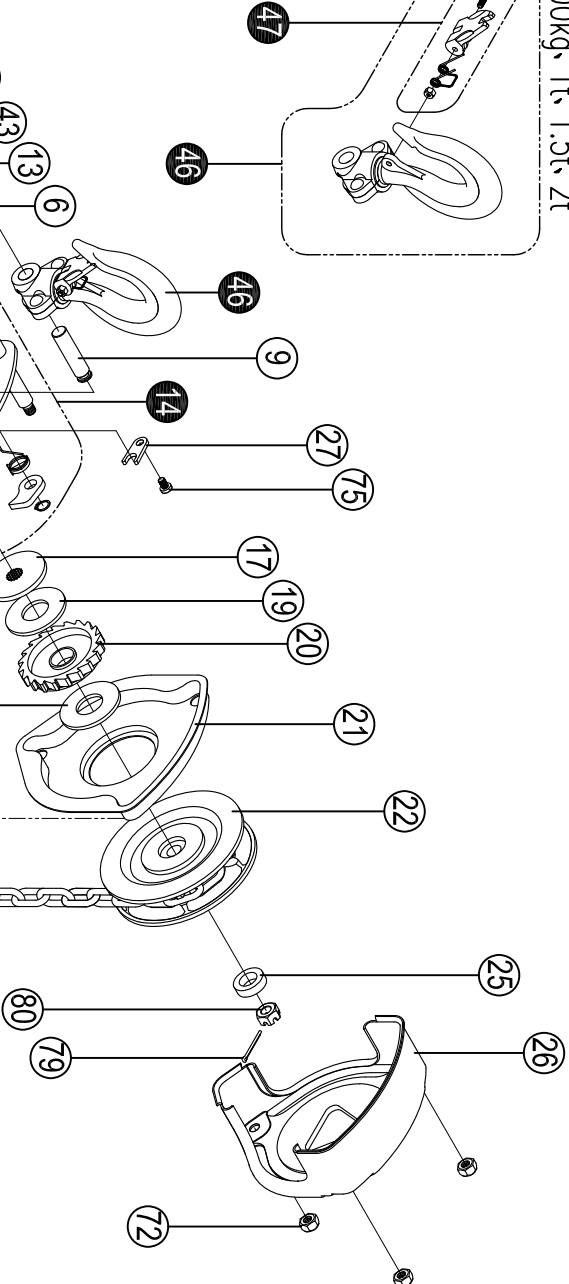
3t, 5t



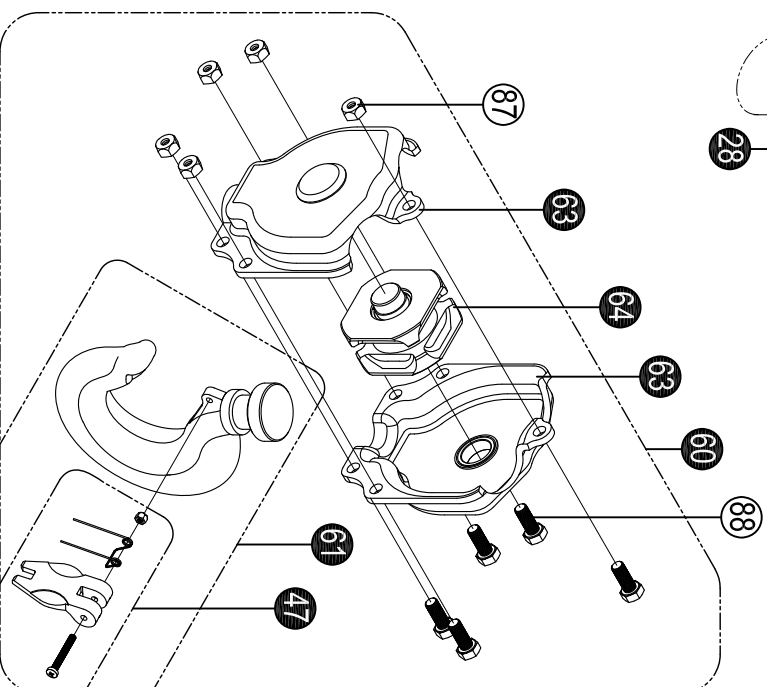
500kg, 1t, 1.5t, 2t



500kg, 1t, 1.5t, 2t, 3t, 5t CHAIN BLOCK



500kg, 1t, 1.5t, 2t



3t, 5t



HOISTING & LIFTING

Work made easy.

Prod.ID	Description	Pos
4362101	CH/S200-050-1 Gear cover assy	1
4362102	CH/S200-050-2 Disc gear assy	2
4362103	CH/S200-050-3 Drive shaft	3
4362104	CH/S200-050-4 Splined gear	4
4362105	CH/S200-050-5 Right side plate assy	5
4362106	CH/S200-050-6 Load chain sprocket	6
4362109	CH/S200-050-9 Top hook shaft	9
4362111	CH/S200-050-11 Chain stripper	11
4362113	CH/S200-050-13 Guide roller	13
4362114	CH/S200-050-14 Left side plate assy	14
4362115	CH/S200-050-15 Pawl spring	15
4362116	CH/S200-050-16 Pawl	16
4362117	CH/S200-050-17 Brake seat	17
4362119	CH/S200-050-19 Friction plates (Pair)	19
4362121	CH/S200-050-21 Brake cover	21
4362122	CH/S200-050-22 Hand chain wheel	22
4362125	CH/S200-050-25 Washer	25
4362126	CH/S200-050-26 Hand chain cover	26
4362127	CH/S200-050-27 Positioned Plate	27
4362133	X-CH-050-32 Nameplate	32
4362142	CH/S200-050-42 End anchor	42
4362143	CH/S200-050-43 End anchor Pin	43
4362146	CH/S200-050-46 Top hook assy	46
4362147	CH/S200-050-47 Safety latch assy	47
4362161	CH/S200-050-61 Bottom hook assy	61
4362162	CH/S200-050-62 Bottom Hook pin assy	62
4362171	CH/S200-050-71 Metal lock nut M8	71
4362172	CH/S200-050-72 Metal lock nut M8	72
4362173	CH/S200-050-73 Circlip 22	73
4362174	CH/S200-050-74 Circlip 10	74
4362175	CH/S200-050-75 Cross head screw M4×6	75
4362176	CH/S200-050-76 Split Pin 2×16	76
4362178	CH/S200-050-78 Nameplate 2.5×6	78
4362179	CH/S200-050-79 Split pin 2.5×25	79
4362180	CH/S200-050-80 Hexagon recess nut M8	80