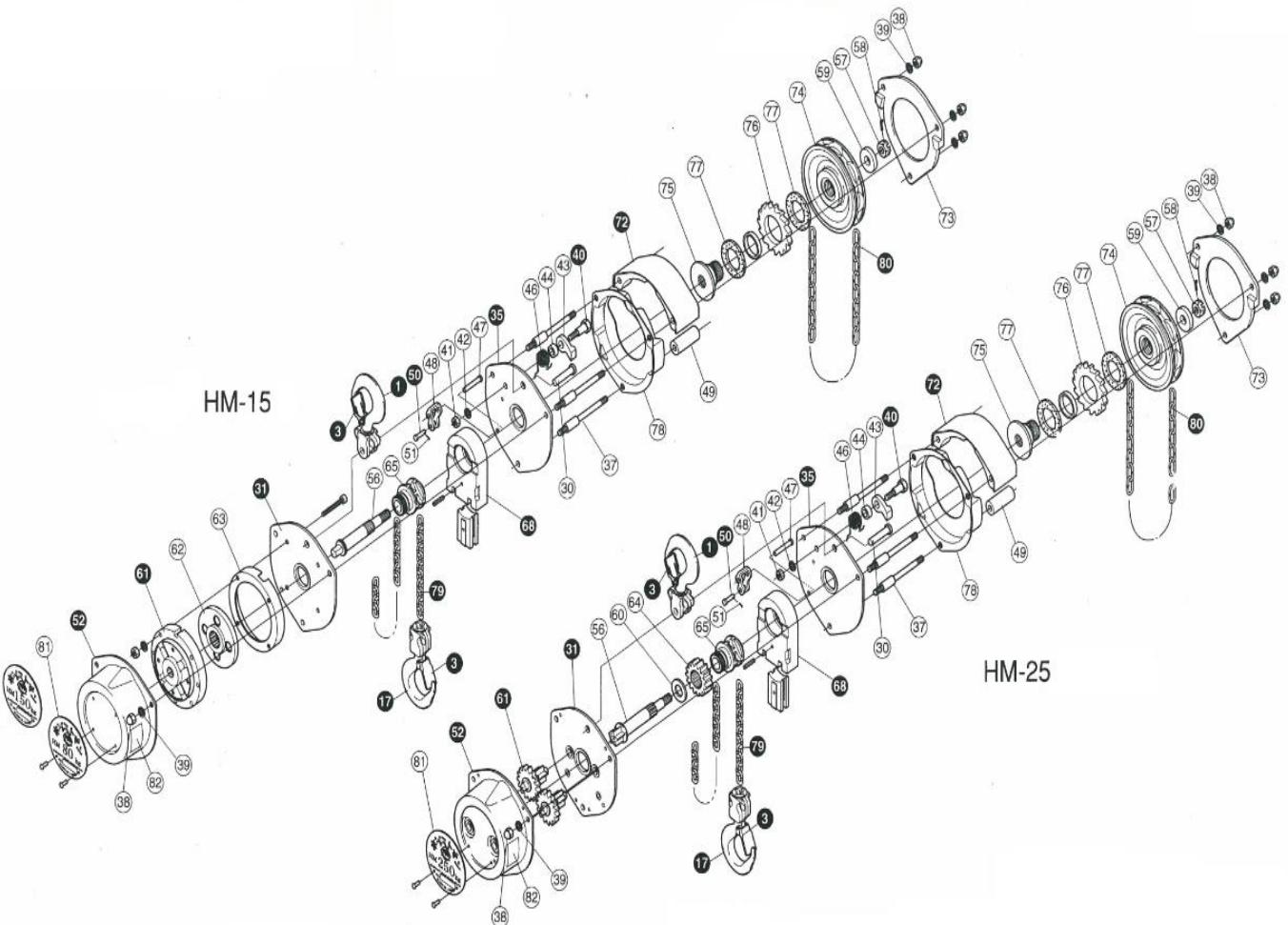


HOISTMAN 150/250 KG



LIFTING | HOISTING | HANDLING | SAFETY

REMA HOLLAND B.V.
P.O. BOX 4303
6202 VA MAASTRICHT
THE NETHERLANDS

GALJOENWEG 47
6222 NS MAASTRICHT
VAT NR. NL 0082 54 941 801
REGISTERED 146 25 774

ISO 9001, OHSAS 18001 AND EKH CERTIFIED

ING BANK MAASTRICHT
67 94 11 666
IBAN NL12 INGB 0679 4116 66
BIC-SWIFT INGB NL2A

PHONE +31 (0)43 3631777
FAX +31 (0)43 3632922
INFO@REMA.NL
WWW.REMA.NL

PART NUMBER	DISCRIPTION	REMA ARTICLE NUMBER
1	TOP HOOK ASSY	4300001
3	SAFETY LATCH	4300003
17	BOTTOM HOOK ASSY 150KG	4300017
17	BOTTOM HOOK ASSY 250KG	4300018
30	TOP HOOK PIN	
31	GEAR SIDE PLATE ASSY	
35	WHEEL SIDE PLATE ASSY	
37	STAY BOLT A	
38	CAP NUT	
39	SPRING WASHER	
40	PAWL PIN ASSY	
41	HEX NUT	
42	SPRING WASHER	
43	PAWL	
44	LINER FOR PAWL	
46	PAWL SPRING	
47	ANCHOR PLATE PIN	
48	ANCHOR PLATE	
49	STAY PIP	
50	CHAIN STOP PIN ASSY	
51	COTTER PIN (S)	
52	GEAR CASE SET	
81	NAME PLATE	
82	WARNING SEAL	
56	PINION SHAFT	
57	CASTLE NUT	
58	COTTER PIN (L)	
59	CHECKER WASHER	
60	WASHER FOR PINION SHAFT	
61	PLANET GEAR UNIT 150KG	
61	2ND / 3RD GEAR 250KG	
62	CONNECTING PLATE	
63	LINER	
64	LOAD GEAR	
65	LOAD SHEAVE	
68	CHAIN GUIDE SET	4300068
72	HAND CHAIN GUIDE PLATE ASSY	
73	HAND CHAIN GUIDE PLATE	
74	HAND WHEEL	

75	DISC HUB	
76	RATCHET WHEEL	
77	BRAKE LINING SET	4300507
78	BRAKE COVER	

LIFTING | HOISTING | HANDLING | SAFETY

REMA HOLLAND B.V.
P.O. BOX 4303
6202 VA MAASTRICHT
THE NETHERLANDS

GALJOENWEG 47
6222 NS MAASTRICHT
VAT NR. NL 0082 54 941 B01
REGISTERED 146 25 774

ISO 9001, OHSAS 18001 AND EKH CERTIFIED

ING BANK MAASTRICHT
67 94 11 666
IBAN NL12 INGB 0679 4116 66
BIC-SWIFT INGB NL2A

PHONE +31 [0]43 3631777
FAX +31 [0]43 3632922
INFO@REMA.NL
WWW.REMA.NL