

REMA CE Capacity 1600kg
Wire Rope \varnothing 11mm
Serial No. 1931
Production 200 5

Wire Rope Pulling Hoist

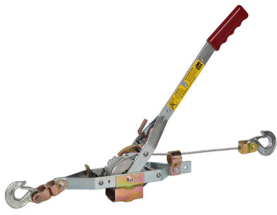
Operating instruction
A) Pull B) Release Please lever A+B in position indicated.
Move lever C in arrow direction until Locked. Feed in cable, Release lever C.

Lubricate With Motor-Oil

0350003 REMA GRIPPER TAKEL 1.6T
8 717365 001147

MD Power Puller

NOT FOR LIFTING



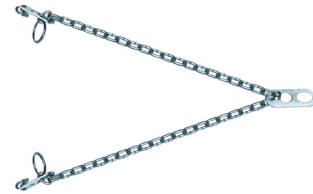
Lightweight POWER PULLER. With many applications when it comes to pulling, lashing and tensioning.

Properties

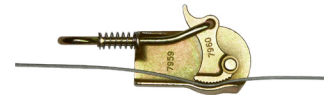
- Safety factor 4.
- Hooks equipped with safety latches.
- Anti-slip safety handle.
- Safe workload only with horizontal use.

Option

- 0310012 Wire pulling chain.
- 0310014 Barbed wire puller.



0310012



0310014

Type	WLL (kg)	Tension range (m)	Cable diameter (mm)	Weight (kg)	ProductId
MD-144 S	450	3.66	4.76	3.6	0310001
MD-144 SB	750	1.83	4.76	4.1	0310003

MDWS Band Puller

NOT FOR LIFTING



The flexible belt prevents damage to the material and controls the load.

Properties

- Safety factor 4.
- Hooks equipped with safety latches.
- Anti-slip safety handle.
- Non-conducting properties.
- Safe workload only with horizontal use.

Type	WLL (kg)	Tension range (m)	Webbing width (mm)	Webbing length (m)	Weight (kg)	ProductId
MDWS-1	225	3.5	25	3.66	3.3	0310005
MDWS-2	450	1.73	25	3.66	3.8	0310007
MDWS-25	225	3.05	25	7.62	3.5	0310009

MDA Rope puller

NOT FOR LIFTING



Lightweight and extremely robust POWER PULLER. Ideally suited for assembly work. With many application possibilities when it comes to pulling, lashing and tensioning.

Properties

- Safety factor 4.
- Hooks equipped with safety latches.
- Anti-slip safety handle.
- Non-conducting properties.
- Safe workload only with horizontal use.

Option

- Rope.

Type	WLL (kg)	Cable diameter (mm)	Weight (kg)	ProductId
MDA-0	350	12.7	3.2	0310011

IMPORTANT!

Before use, check steel wire rope, belt or rope for damages.
Before use, check that the hooks are not bent out and the safety latches are still attached.
Never extend the handle with a pipe for more power.
NOT FOR LIFTING.

Gripper wire rope hoist



The REMA Gripper is a very robust wire rope hoist that can be used vertically, horizontally or at other angles, with a capacity of 800 kg, 1600 kg and 3200 kg. The shear pin and lever are reliable indicators for overloading.

Properties:

- Precise operation.
- Virtually maintenance free.
- The house is made of cast aluminum with a low own weight.
- The safety pin breaks at approximately 25% overload.
- The handle bends at about 50% overload.
- The safety pin (s) can be replaced under load.
- Spare safety pins are located in the carrying handle or in the operating handle (GP-0,8).

Standard delivery

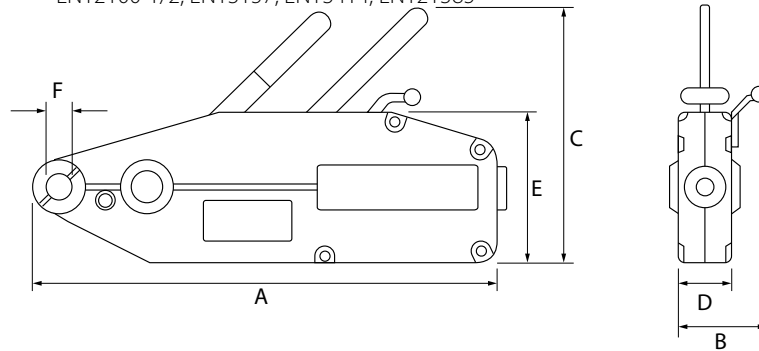
- Excluding wire rope.

Option

- Steel wire rope, standard length is 20 meters.

Norm:

- EN12100-1/2, EN13157, EN13414, EN121385



IMPORTANT:

Before use, check that the safety pins are in good condition. If the safety pin is broken, replace it.

Before use, check that the steel cable is not damaged.

Before use, check that the steel cable has been correctly inserted through both clamping jaws.

Never use a longer lever or make the lever longer than the original one.

Type	WLL (kg)	Hand force max. (kg)	Lever length (mm)	Lifting height at 1 lever movement (mm)	Cable diameter (mm)	Weight (kg)	ProductId
GP-0.8	800	28	740	52	8.3	6.1	0350001
GP-1.6	1600	41	1120	55	11.0	11.9	0350003
GP-3.2	3200	44	1120	28	16.1	21.1	0350005

Type	A (mm)	B (mm)	C (mm)	D (mm)	E (mm)	F (mm)
GP-0.8	425	65	230	59	170	22.0
GP-1.6	545	95	270	72	190	24.5
GP-3.2	660	116	325	94	220	29.5

GP-wire rope set



REMA wire rope set for GP wire rope hoist are according NEN 10204.

Properties

- One side with hook included safety latch, one side pointed.

Standard delivery:

- Wire rope length 20 m.

Option

- Longer length on request.

Norm:

- EN13414, EN12385, NEN10204

Type	WLL (kg)	Cable diameter (mm)	Length (m)	ProductId
GP-STD8.3mm-20m	800	8.3	20	0354001
GP-STD11mm-20m	1600	11.0	20	0355001
GP-STD16.1mm-20m	3200	16.1	20	0356001