

Load sheaves	204
Snatch blocks	205



REMA
Pulley Block

Model: SKW-200
Capacity: 2000 kg
Seri. No.: 21435
Mfg. Year: 2009

CE

RZ sheaves, unsupported

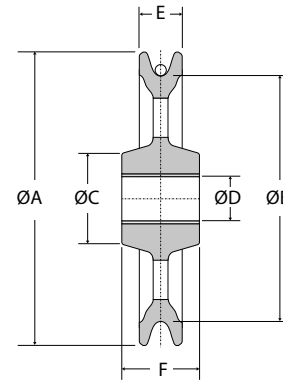


Properties

- Suitable for hand and mechanical applications.
- Maintenance-free design.
- Steel.
- Self-lubricating bearings

Norm:

- EN12100-1/2, EN 13157



Type	Safe working load by hand (kg)	Safe working load mech. (kg)	Cable diameter (mm)	A (mm)	B (mm)	C (mm)	D (mm)	E (mm)	F (mm)	ProductId
RZ-0.5	500	250	5 - 6	150	125	46	22	22	40	3063001
RZ-1.0	1000	500	8 - 10	235	200	78	40	32	50	3063003
RZ-2.0	2000	1000	12 - 14	325	280	108	60	41	70	3063005
RZ-3.0	3000	1500	16 - 18	400	340	110	70	51	87	3063007

RBZ sheaves, supported

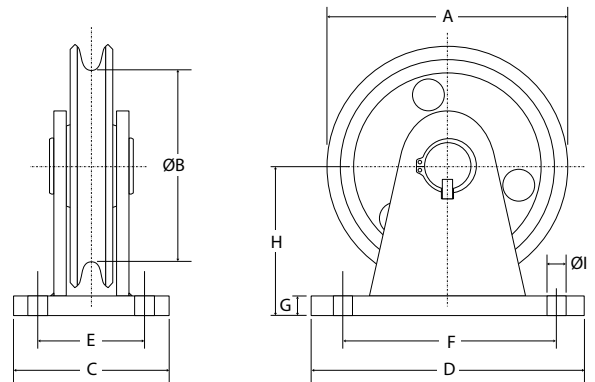


Properties

- Suitable both for manual and mechanical drive.
- Maintenance-free design.
- Sheave dimensions according to RZ-0,5 to RZ-3,0.
- Steel stand.
- A cable guide is provided on the support.
- Self-lubricating bearings.

Norm:

- EN12100-1/2, EN 13157



Type	S.W.L. (kg)	Cable diameter (mm)	A (mm)	B (mm)	C (mm)	D (mm)	E (mm)	F (mm)	G (mm)	H (mm)	I (mm)	Weight (kg)	ProductId
RBZ-0.5	500	5 - 6	150	125	82	115	55	88	15	92	11.5	3.25	3064001
RBZ-1.0	1000	8 - 10	235	200	108	187	70	150	20	138	18	10.6	3064003
RBZ-2.0	2000	12 - 14	325	280	143	260	95	212	25	190	23	31.0	3064005
RBZ-3.0	3000	16 - 18	400	340	188	330	130	242	30	236	28	52.0	3064007

SKW steel wire rope - snatch block with swivel hook

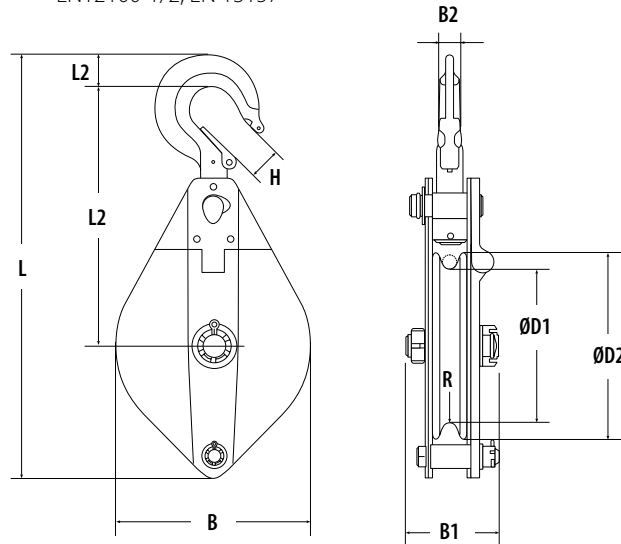


Properties

- Equipped with swivel hook.
- Steel housing.
- Side opening link permits quick, easy insertion of rope or cable without threading.
- Sheave is made of high-quality steel with a groove.

Norm:

- EN12100-1/2, EN 13157



Type	S.W.L. (kg)	Cable diameter (mm)	B (mm)	B1 (mm)	B2 (mm)	D1 (mm)	D2 (mm)	H (mm)	L (mm)	L1 (mm)	L2 (mm)	R (mm)	Weight (kg)	ProductId
SKW-10	1000	7	118	76	17	85	105	23	305	200	23	4	3.3	3060001
SKW-20	2000	13	199	92	24	150	190	27	425	263	30	7	8,9	3060003
SKW-32	3200	15	230	108	28	180	220	21	496	295	40	9	15.5	3060005
SKW-64	6400	18	270	116	35	210	260	42	655	375	47	10	26.5	3060007

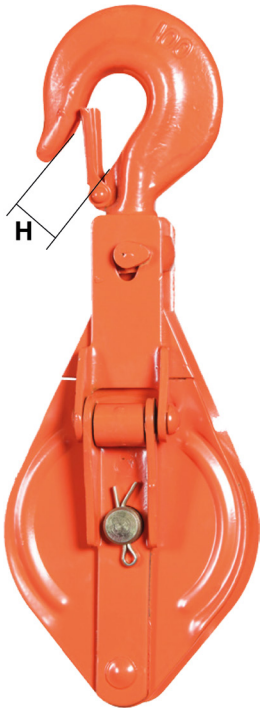
KBH1 steel wire rope snatch block with 1 sheave

Properties:

- Side opening.
- Hook suspension.
- **KBH1** = 1 Steel wire rope sheave.
- **KBH2** = 2 steel wire rope sheave.

Norm:

- EN12100-1/2, EN 13157



KBH1 with 1 wire rope sheave

KBH2 with 2 wire rope sheave

Type	S.W.L. (kg)	Cable diameter (mm)	Thickness (mm)	Width (mm)	Height (mm)	H (mm)	I (mm)	Diameter sheave (mm)	Weight (kg)	ProductId
KBH1-05	500	8	50	87	268	17	-	75	1.5	3061001
KBH1-10	1000	10	56	112	312	17	-	100	2.6	3061003
KBH1-15	1500	13	64	140	370	22	-	125	4.8	3061005
KBH1-20	2000	16	101	168	443	31	-	150	7.4	3061007
KBH2-05	500	8	77	87	268	17	21	75	2.8	3062001
KBH2-10	1000	10	88	112	312	17	21	100	4.3	3062003
KBH2-15	1500	13	100	140	370	22	28	125	7.8	3062005
KBH2-20	2000	16	146	168	443	31	28	150	12.2	3062007