



REMA

REMA Crane Fork  
W.L.L. 2000KG  
CE

Min. LOAD  
25%  
OF SWL

**RPHA pallet hooks with automatic balancing**

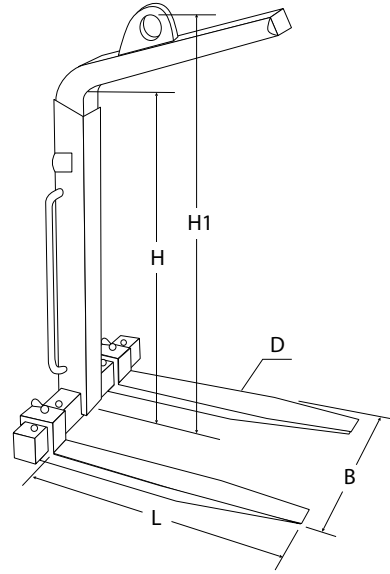


**Properties**

- Adjustable loading forks.
- Height adjustment.
- Minimum load 25% of total safe capacity.

**Norm:**

- EN12100-1/2, EN13155



Type	S.W.L. (kg)	B (mm)	D (mm)	H (mm)	H1 (mm)	Dimensions fork (L x D) (mm)	Diameter lifting eye (mm)	Weight (kg)	ProductId
RPHA-1	1000	350 - 900	100 x 30	1300-2000	1655-2355	1000 x 100 z 30	100 x 80	140	3259010
RPHA-2	2000	400 - 900	120 x 40	1300-2000	1655-2355	1000 x 100 x 40	100 x 80	220	3259020
RPHA-3L	3000	450 - 900	120 x 50	1300-2000	1720-2420	1000 x 120 x 50	120 x 100	280	3259031
RPHA-5	5000	530 - 1000	150 x 60	1300-2000	1850-2650	1000 x 150 x 60	136 x 120	380	3259050

**RPHM pallet hooks with manual balancing**

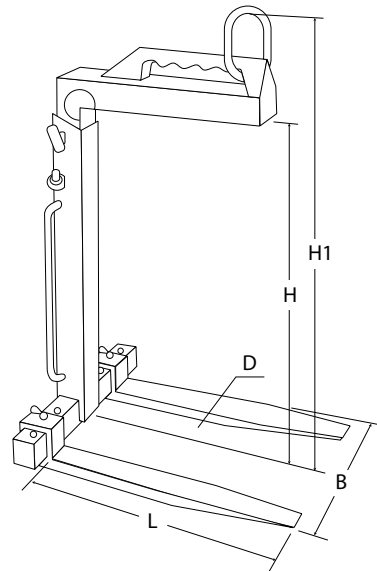


**Properties**

- Adjustable loading forks.
- Height adjustment.

**Norm:**

- EN12100-1/2, EN13155



Type	S.W.L. (kg)	B (mm)	D (mm)	H (mm)	H1 (mm)	Dimensions fork (L x D) (mm)	Diameter lifting eye (mm)	Weight (kg)	ProductId
RPHM-1	1000	350-900	100 x 30	1300-2000	1700-2400	1000 x 100 x 30	100 x 80	130	3258010
RPHM-2	2000	400-900	120 x 40	1300-2000	1700-2400	1000 x 120 x 40	100 x 80	200	3258020
RPHM-3	3000	450-900	120 x 50	1300-2000	1700-2400	1000 x 120 x 50	120 x 100	250	3258030
RPHM-5	5000	530-1000	150 x 60	1300-2000	1700-2450	1000 x 150 x 60	136 x 120	370	3258050