

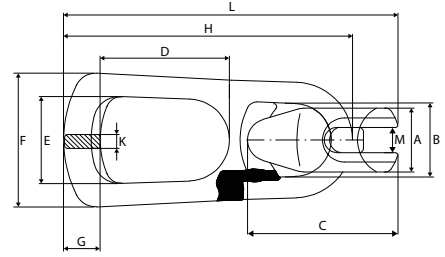


Concrete hook type RBH



For lifting PREFAB concrete plates.

Norm:
- EN1677



Type	WLL (kg)	B.F. (KN)	B (mm)	D (mm)	C (mm)	D (mm)	E (mm)	F (mm)	G (mm)	H (mm)	K (mm)	L (mm)	M (mm)	Weight (kg/pc/m)	ProductId
RBH-1.3	1.300	51.0	34	42	80.4	70.5	45	73	20.5	157.0	12.5	186	11.5	0.89	3010101
RBH-2.5	2.500	98.0	42	49	99.0	85	57	88	27.0	190.0	14.0	227	16.0	1.30	3010103
RBH-5	5.000	196.0	55	70	133.0	88	69	110	35.0	233.0	18.0	282	22.0	3.24	3010105
RBH-10	10.000	392.0	74	92	176.0	116	83	161	51.0	336.5	27.0	391	30.0	10.01	3010107
RBH-20	20.000	784.0	110	114.5	228.0	133.5	107.5	182	77.0	437.0	31.0	497	42.0	20.37	3010109

Stelcon chain sling assembly (G8)



Stelcon hooks can only be used for steel tubes 55 x 25 mm.

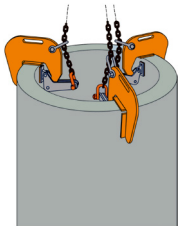
Properties

- 1 x RML-86-G10 masterlink. (2631006)
- 2 x 0,5 m 6 x 18 chain. (2610006)
- 4 x C-LINK. (2636006)
- 2 x G4163-1/2" Shackle. (3012009)
- 1 x Stelcon hook set. (2640001)

Norm:
- EN1677-1->7, EN818-1->4

Type	WLL (kg)	ProductId
REMA-10 STELCON 1500 KG	1500	2629010

CBA vertical concrete pipe lifting clamps.



Properties:

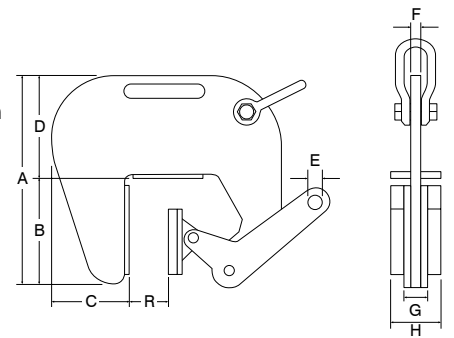
- Specifically developed for safe lifting of concrete pipes in vertical position.
- These clamps must always be used per 3 pieces.
- On special order supplied with chains and crane eyes.

Option

- Lifting chain: 3-legs chain/8mm/RMA-8/C-link/1500mm
ProductId: 2629040

Norm:

- EN12100-1/2, EN13155, AS4991, ASME-B30,20



Type	WLL/3 (kg)	Jaw opening (mm)	A (mm)	B (mm)	C (mm)	D (mm)	E (mm)	F (mm)	G (mm)	H (mm)	R (mm)	Weight/3 (kg)	ProductId
CBA-1.5	1500/3	60-120	320	170	110	160	12	12	40	60	60-120	30/3	3308007
CBA-3.0	3000/3	60-120	320	170	110	160	12	12	40	60	60-120	30/3	3308008