

Superclamp PFC1 and PFC2



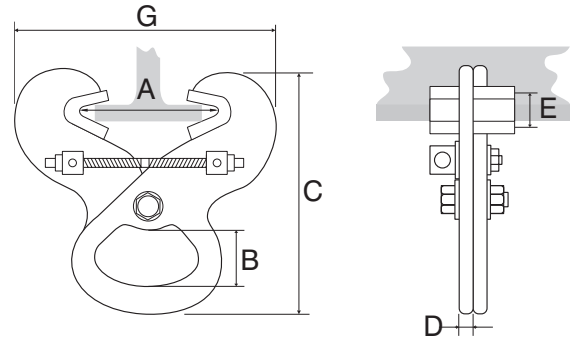
REMA Superclamp series S fitted with adjustable insets is an adjustable spindle beam clamp that grips beam flanges optimally allowing wider jaw openings.

Properties

- For light industrial applications.
- Compact design and low tare weight.
- Easy mounting.

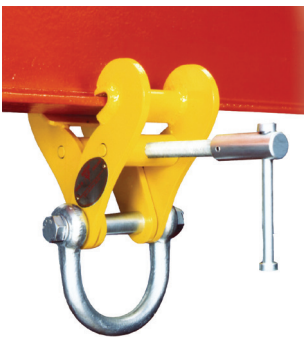
Norm:

- EN12100-1/2, EN13157, EN2018, EN2009



Type	WLL (kg)	Jaw opening (mm)	A (mm)	B (mm)	C (mm)	D (mm)	E (mm)	G (mm)	Weight (kg)	ProductId
PFC1	1000	96 - 190	96 - 190	38	212	6	22	220	2.1	3501001
PFC2	2000	96 - 190	96 - 190	38	212	6	22	220	2.5	3501002

Superclamp S serial



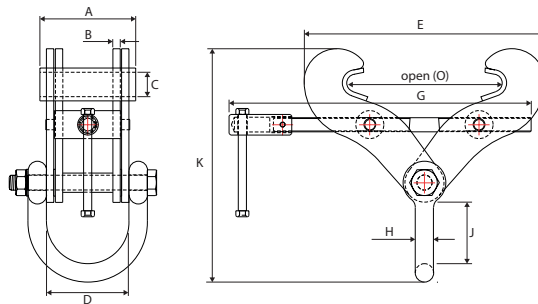
Adjustable spindle beam clamp for establishing a semi-permanent suspension point when loading at an angle.

Properties

- Compact design and low tare weight.
- Easy mounting.
-

Norm:

- EN12100-1/2, EN13157, EN2018, EN2009



Alternative see type RMBC Page 164

Type	WLL (kg)	Jaw opening (O) (mm)	A (mm)	B (mm)	C (mm)	D (mm)	E (mm)	G (mm)	H (mm)	J (mm)	K (mm)	Weight (kg)	ProductId
S1*	2000	76-190	125	3	22	90	188	275	20	77	250	4	3502001
S2*	3000	76-190	125	6	22	90	188	275	20	77	250	5.1	3502003
S2A*	3000	76-190	130	12.5	22	102	250	275	20	103	268	7.4	3502005
S3*	4000	150-254	130	10	22	112	327	410	25	98	332	10.4	3502007
S3X	5000	76-190	130	12.5	22	116	237	295	25	110	300	9	3502009
S3A*	5000	150-305	140	12.5	32	116	373	410	25	110	360	14.9	3502011
S4	7000	101-228	140	12.5	42	118	323	410	32	120	382	17.5	3502012
S4S	6000	203-457	140	12.5	42	116	498	560	25	110	459	18.8	3502013
S4A	10.000	203-457	140	20	42	118	498	560	32	112	476	27.3	3502015
S12	15.000	203-457	170	20	50	116.5	611	660	40	185	616	53.8	3502017
S14	15.000	406-610	175	20	63	116.5	795	810	40	185	673	63	3502019