

REMA RMBC Beam clamp



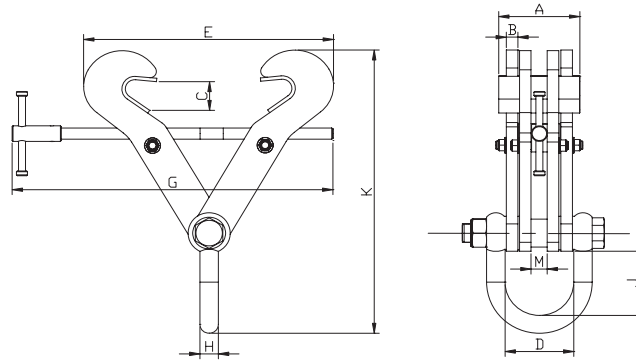
Adjustable spindle beam clamp for establishing a semi-permanent suspension point.

Properties

- Compact design and low own weight.
- Easy mounting.

Norm:

- EN12100-1/2, EN13155, AS4991, ASME-B30,20



Type	WLL (kg)	Jaw opening (mm)	A (mm)	B (mm)	C (mm)	D (mm)	E max. (mm)	G (mm)	H (mm)	J (mm)	K min (mm)	M (mm)	Weight (kg)	ProductId
RMBC-2T	2000	76-190	125	14	27	107	272	276	20	85	254	42.5	4	3318201
RMBC-3T	3000	76-190	130	14	27	107	272	276	20	85	254	42.5	8	3318203
RMBC-5T	5000	150-305	140	14	46	122	450	409	25	99	319	57.5	15	3318205
RMBC-6T	6000	203-457	140	14	55	116	600	559	25	99	418	50	18.8	3318206
RMBC-10T	10.000	203-457	140	20	55	119	600	559	32	99	418	28	28	3318210
RMBC-15T	15.000	203-457	175	20	76	120	681	660	40	185	555	28	47	3318215
RMBC-15T	15.000	406-610	175	20	76	120	834	810	40	185	634	28	52.8	3318216

REMA RMBCV Beam clamp with swivel jaw



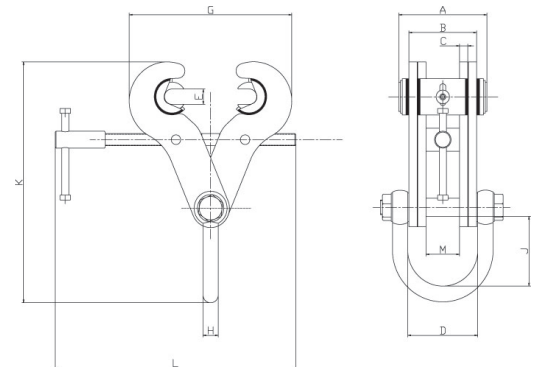
REMA RMBCV with adjustable jaws is an adjustable spindle beam clamp that grips the flange of the beam in an optimal way.

Properties

- Robust design.
- Wide jaw openings.
- Quick assembly.

Norm:

- EN12100-1/2, EN13155, AS4991, ASME-B30,20



Type	WLL (kg)	Jaw opening (mm)	A (mm)	B (mm)	C (mm)	D (mm)	E (mm)	G max. (mm)	H (mm)	J (mm)	K min (mm)	L (mm)	M (mm)	Weight (kg)	ProductId
RMBCV-3T	3000	89-305	144	102	8	107	25.4	418	20	100	322	410	10	10.0	3318303
RMBCV-5T	5000	89-305	144	118	14	122	25.4	418	25	115	346	409	57.5	15.5	3318305
RMBCV-10T	10.000	89-305	144	114	20	119	25.4	426	32	106	355	409	28	22.0	3318310